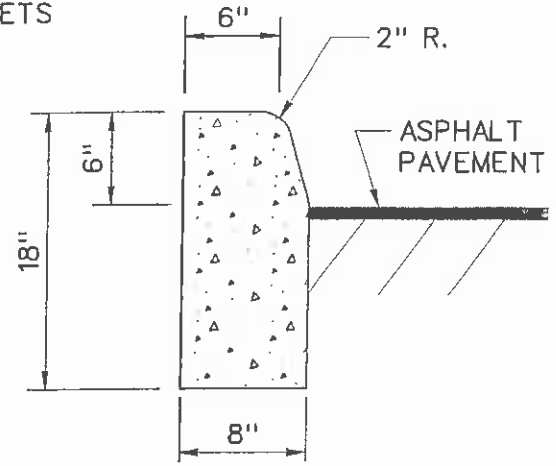
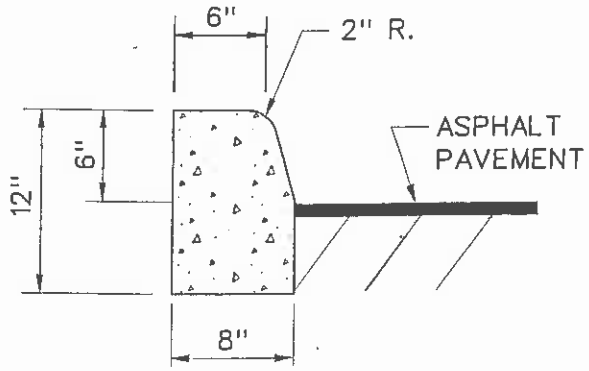


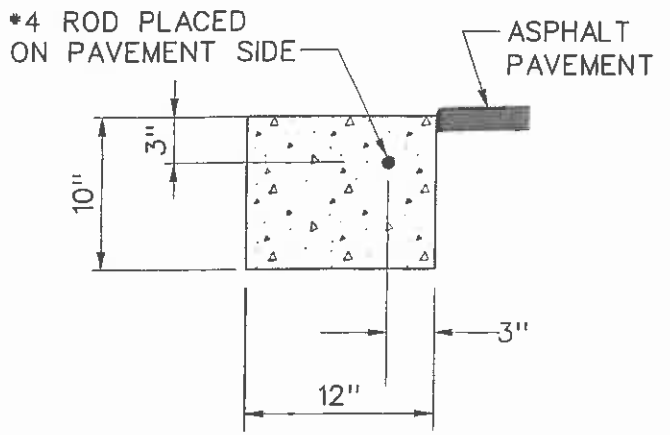
TYPE "F" CURB & GUTTER



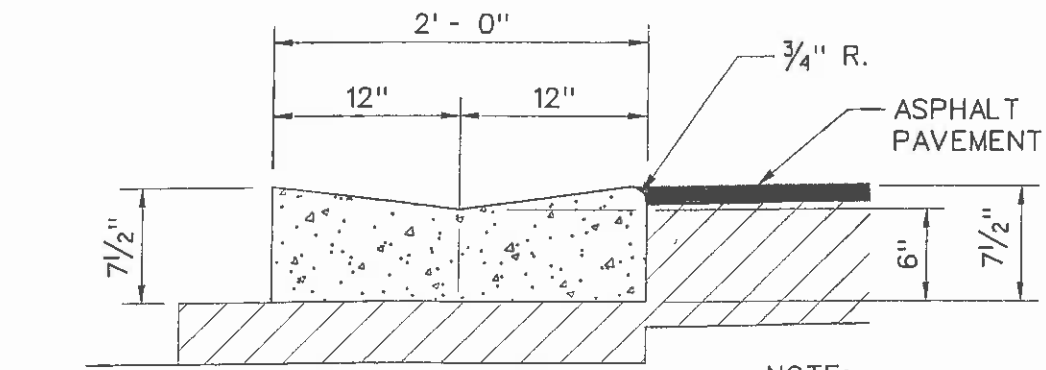
TYPE "D" CONCRETE CURB



TYPE "D" MODIFIED CURB



FLUSH HEADER CURB



2' VALLEY GUTTER

NOTE:
EXTRUDED CURB NOT IN
THE CITY OF PLANTATION
PER CITY ENGINEER.

CITY OF PLANTATION
ENGINEERING STANDARDS
PLANTATION, FLORIDA

SCALE:
N.T.S.
REVISED:
11/12/09

TYPICAL CONCRETE
CURBS DETAIL