



# PK80

# LED Light Pole Kit with Single 80 Watt LED Light

Job: \_\_\_\_\_  
 Job Site: \_\_\_\_\_ State: \_\_\_\_\_ Client Name: \_\_\_\_\_  
 Notes: \_\_\_\_\_ Approvals: \_\_\_\_\_ Date: \_\_\_\_\_

**Commercial-grade LED Light Pole Assembly Includes:**

Square steel light pole, Single LED light complete with mounting bracket and hardware, set of anchor bolts and a base cover.

**Light Pole:**

**Pole Shaft:** 4 inch square 11 gauge commercial grade steel with minimum yield strength of 55,000 psi

**Pole Height:** Standard pole height is 10 ft. Optional heights are 15ft. and 20 ft.

Custom heights are also available.

**Anchor Bolts:** A set of 4 galvanized steel anchor bolts is provided.

Each anchor bolt includes 2 nuts and 2 washers.

**Bolt Circle:** 8-1/2" (Slotted base for 8-11" Bolt Circle).

**Handhole:** Handhole is located 18" above the base plate. A 3" X 6" steel handhole cover is included.

**Color:** Dark Bronze

**Base Cover:** ABS Plastic base cover with rivets.

**LED Fixture:**

**Material:** Aluminum construction with integrated fins to maximize heat dissipation.

**Color:** Dark Bronze.

**Power:** 80 Watts

**Lumens:** 11,000

**Lumens/Watt:** 138

**Voltage:** 120-277 Volt standard. 200-480 Volt option as special order.

**Color Temperature:** 5000K standard. 4000K and 3000K options as special order.

**Light Distribution:** Type 3 standard. Type 4 option as special order.

**Photocell:** Optional Twist/Lock photocell.

**Dimming:** 0-10V Dimming Capable. Dimming control not provided (field install).

**UL Listing:** UL Listed for Wet Locations.

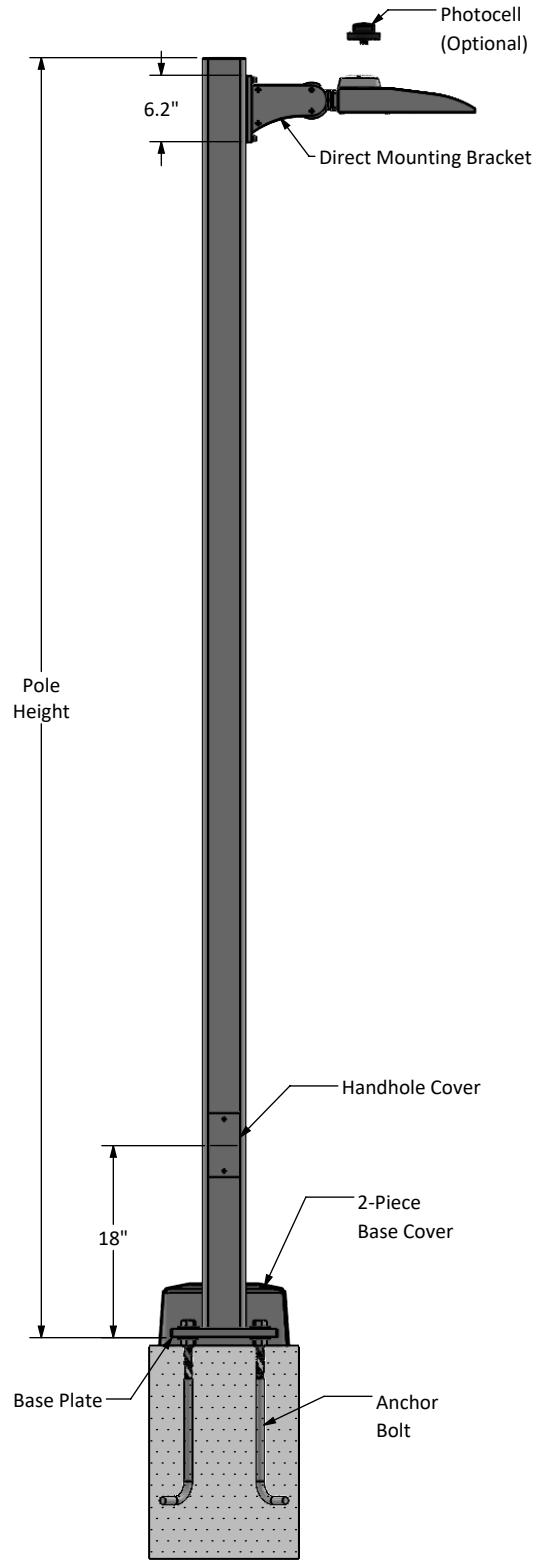
**DLC Listing:** DLC Premium.

**IP Rating:** IP65

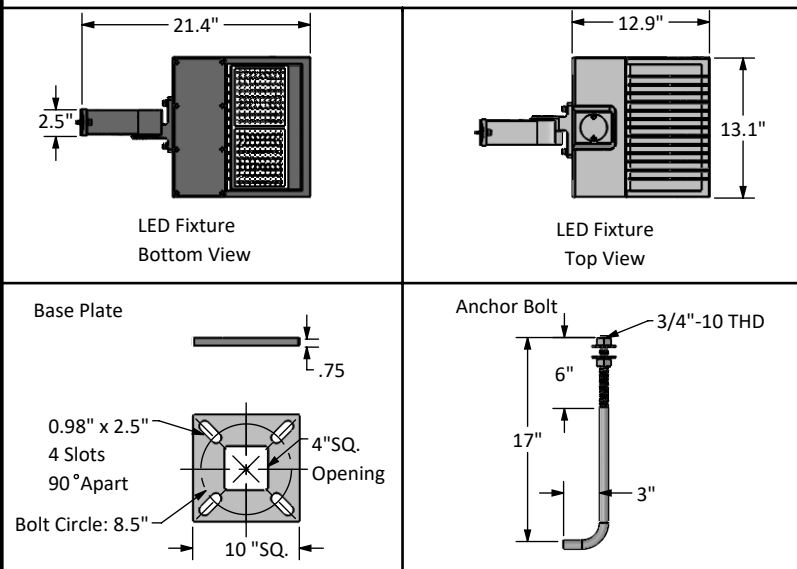
**Life Expectancy:** 100,000 hours (L70)

**Warranty:** 5 Years.

**Weight:** 13.5 lbs.



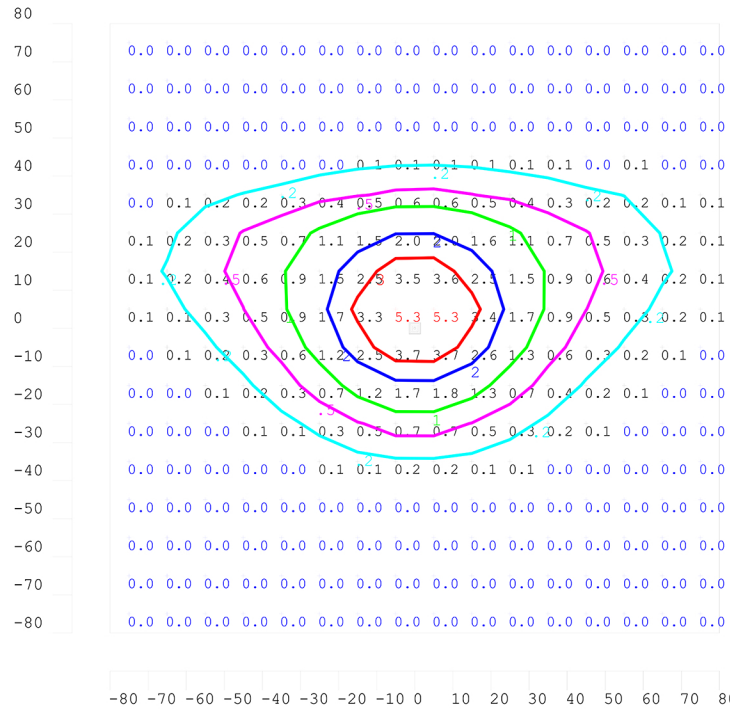
System Data				
Total Power (Watts)	Total Lumens	Total Amps		Max Wind Rating
		120V	277V	
80	11,000	0.7	0.3	140 mph



**Disclaimer:** All dimensions and specifications are subject to change without any notice. Light Pole Foundation should be designed by an engineer familiar with local soil and wind conditions as well as local code where the light pole will be installed.

# Photometrics for 710083 at 20 ft.

Photometrics at 20 ft.



Luminaire Schedule					
Symbol	Qty	Label	Arrangement	LLF	Description
M	1	M	SINGLE	1.000	710083 - 80 Watt LED Area Light@20' AG



Energy Light Inc.  
800 E. Northwest Highway  
Suite 700  
Palatine, IL 60074

Lightmart.com

LIGHTING PHOTOMETRY FOR PROJECT:		
710083 - 80 Watt LED Area Light Isocurves@20' AG		
DWG. NO S1072517C-R1		
SCALE	SHEET	
N/A		
SIZE	FSCH. NO.	
DRAWN BY: RSB		
REVISIONS		
REV.	DATE	BY
NOTES:		

Color Key	
<span style="color: red;">■</span>	3.0 Footcandles
<span style="color: magenta;">■</span>	0.5 Footcandles
<span style="color: green;">■</span>	N/A
<span style="color: blue;">■</span>	N/A
<span style="color: cyan;">■</span>	2.0 Footcandles
<span style="color: yellow;">■</span>	1.0 Footcandle
<span style="color: lightblue;">■</span>	0.2 Footcandle

